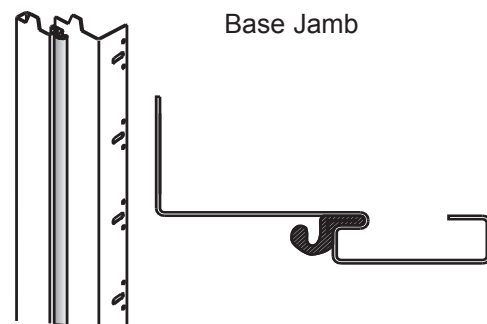


# Fitted Frame Pre-Hanging Assembly Instructions

## BASE KIT

### BASE JAMB PACKAGE TO CONTAIN:

- 1 ea. Jamb Header
- 1 ea. Hinge Jamb
- 1 ea. Lock Jamb
- 1 ea. 37" Brown Foam Weather Strip
- 2 ea. 82" Brown Foam Weather Strip
- 1 ea. Pre-hanging Hardware (excluding hinges)
- 1 ea. Accessory Bag
- 1 ea. Jamb Kit Installation Instructions
- 1 ea. Threshold



### FRAME PREPARATION

#### 1. Frame Component Selection

Select frame components. *Figure A*  
Position frame on work surface. *Figure B*

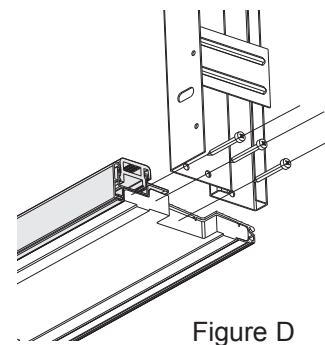
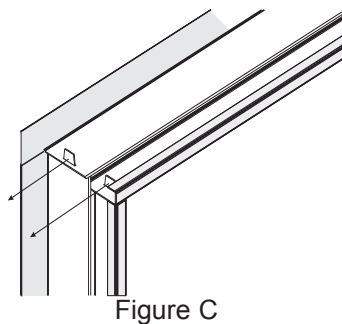
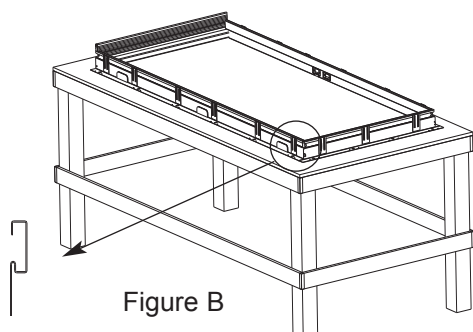
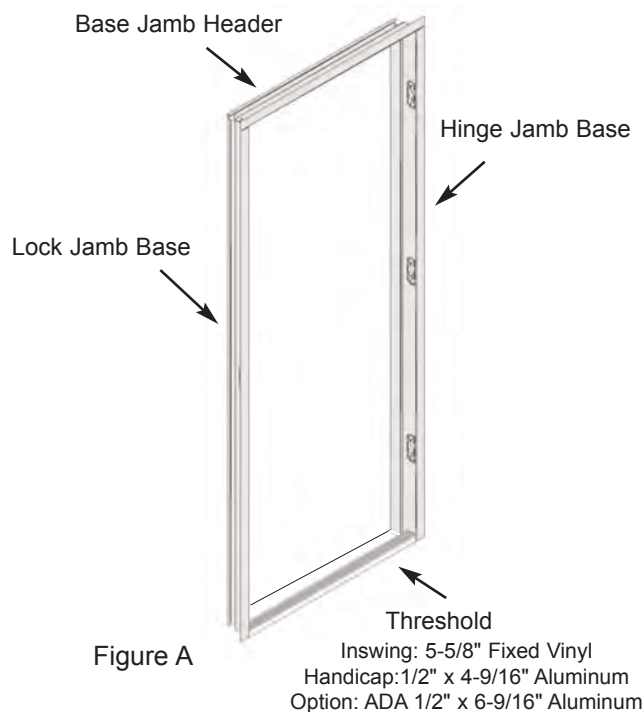
#### 2. Assemble Base Frame

Bend tabs down and out towards  
throat side of side frame. *Figure C*

#### 3. Attach Fixed Vinyl or ADA Threshold

Use (4) #6 x 1-1/2" pan head type 17 screws.  
*Figure D*

#### 4. Turn Entire Preassembled Unit Over Onto Work Surface.



**5. Attach Hinges To Frame** (Use machine screws provided in hardware bag with your preferred hinges) Attach each hinge to hinge jamb base with (4) #10-24 x 1/2" machine screws. Remove hinge pin and loose hinge leaf. *Figure E*

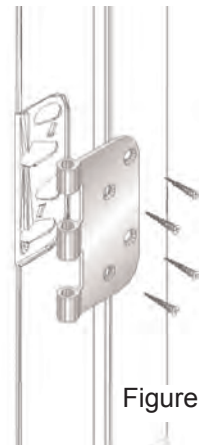


Figure E

**6. Install Weatherstrip**

Cut the 37" pcs of weatherstrip to fit between the side jambs and insert into the jamb header kerf. Trim one end of the 82" weatherstrip at an angle to overlap the jamb header weather strip. *Figure F* Trim the opposite end so the weatherstrip touches the threshold. Insert weatherstrip into kerf. Repeat the same procedure for the other 82" side jamb weatherstrip.

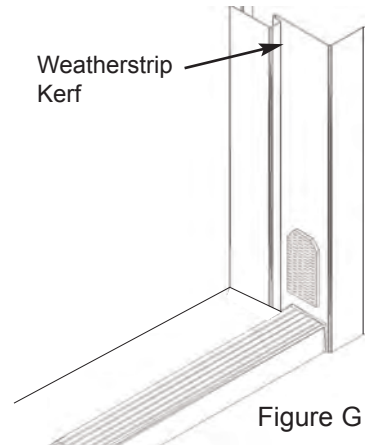


Figure G

**7. Apply Corner Seals**

(1) required on hinge jamb and (1) on lock jamb. *Figure G*

**8. Attach Hinges To Door** *Figure H*

(Hinge screws are not included with this kit)

**Fixed hinge doors** *Figure J*

Attach each hinge with (4) #10 X 3/4" type 17 phillips - flat head zinc plated, yellow dichromate

**Adjustable hinge doors** *Figure K*

Attach each hinge with (4) 10-24 X 5/8" Taptite (Tri-obular point) phillips - flat head, 82 deg. under-cut head, zinc plated, yellow dichromate heat treated.

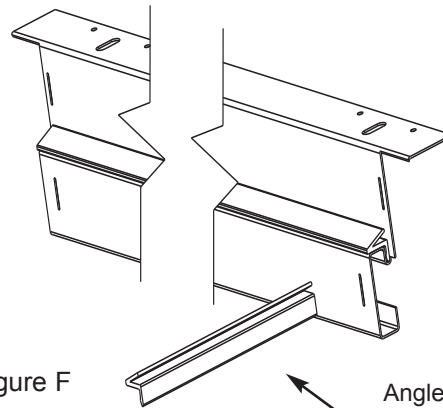


Figure F

Angle Cut End And Overlap Header Weatherstrip

**9. Install Prehang Bracket**

Attach with (2) #6 x 3/4" pan head truss head screws. *Figure L*

**10. Install Door Into Frame** *Figure M*

Align hinges and insert (3) hinge pins.

**11. Attach Prehang bracket To Frame** *Figure N*

Attach with (2) #6 x 1/2" TEK screws

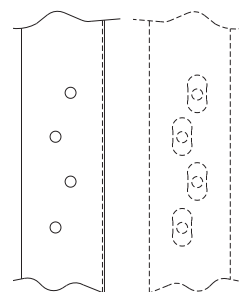


Figure J

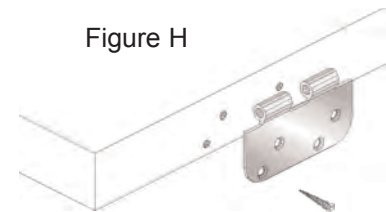


Figure H

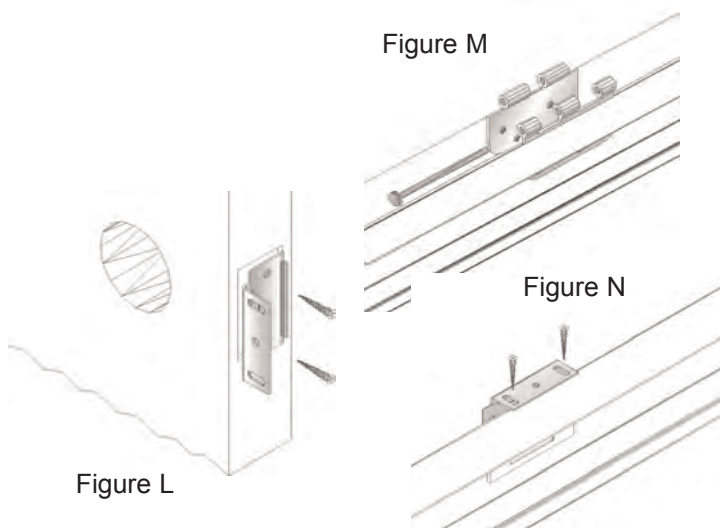


Figure L

Figure M

Figure N

**Painting Instructions:**

*Frame and door should be painted within 30 (thirty) days.*

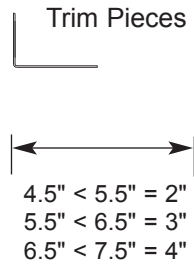
1. Avoid painting in cold or damp weather. Temperature at time of painting should be between 50°F and 90°F.
2. Sand entire surface of frame and door with a #320 grit sand paper and wipe clean with a soft cloth.
3. Clean frame and door with a mild detergent solution; rinse thoroughly and let dry.
4. Use only an exterior acrylic latex paint on the exterior side of the door. The interior side can accept either an exterior or interior latex paint. Apply per the paint manufacturer's instructions.
5. Do not paint the weatherstrip or hinges.

# Fitted Frame Installation Procedures

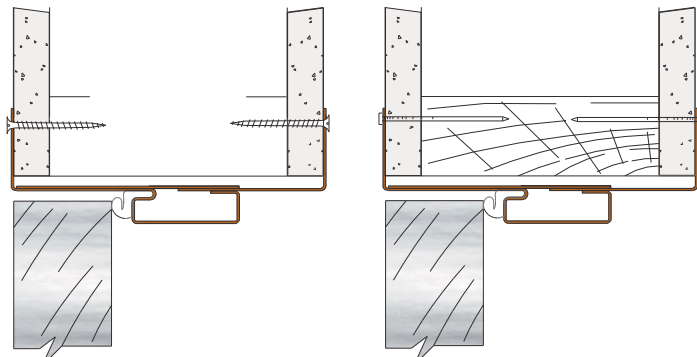
## TRIM KIT

### TRIM KIT PACKAGE TO CONTAIN:

- 1 ea. Header Trim
- 2 ea. Side Jamb Trim
- 1 ea. Strike Hardware Bag
- 1 ea. Trim Kit Installation Instructions
- Threshold extender
  - 4.5" > 5.5" wall size - no extender
  - 5.5" > 6.5" wall size - 1 ea. 1-1/16" extender
  - 6.5" > 7.5" wall size - 1 ea. 2" extender



**Note:** Handicap applications **Do Not Require Extenders**

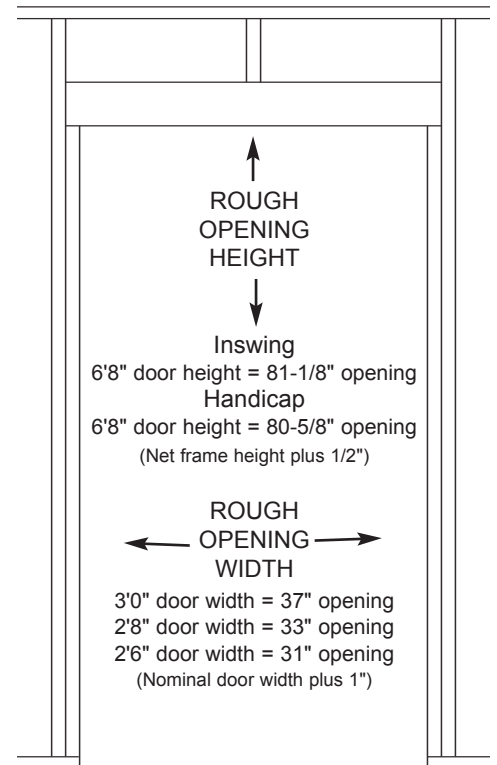


#### Metal Stud / Drywall

Frame Fastener:  
Type "S" Bugle Head  
Self-Tapping Screw

#### Wood Stud / Drywall

Frame Fastener:  
1-1/4" Course Thread  
Drywall Screws



### 1. Prepare Opening

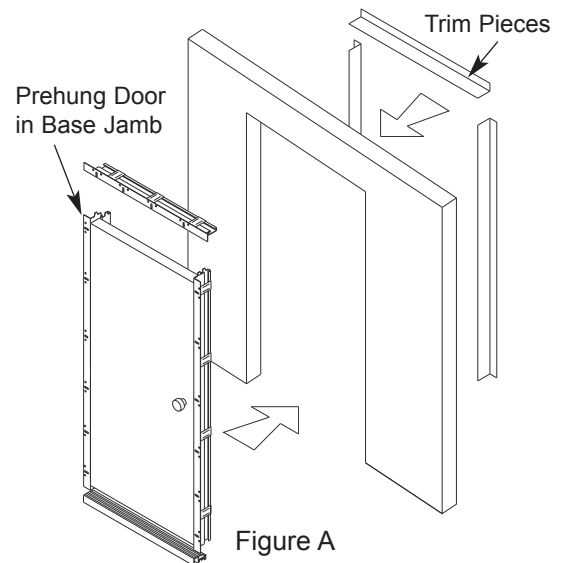
Thoroughly caulk floor area where the unit will be located with a high grade caulking.  
Caulk entire joint between frame and threshold. *Figure C*

### 2. Install Prehung Unit Into Wall Opening

Set clearances and attach to wall using the recommended fasteners. *Figure A*

### 3. Install Trim Pieces

Install trim pieces making sure the trim goes between the stop return and each individual weld plate of the base jamb.  
*Figure B*  
Attach to wall using the recommended fasteners.



### 3. Install Threshold Extender

Figure B

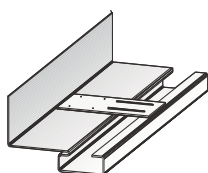
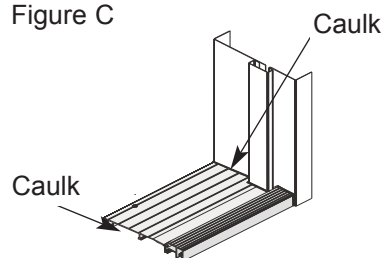


Figure C



### Painting Instructions:

*Frame and door should be painted within 30 (thirty) days.*

1. Sand entire surface of frame and door with a #320 grit sand paper and wipe clean with a soft cloth.
2. Clean frame and door with a mild detergent solution; rinse thoroughly and let dry.
3. Use only an exterior acrylic latex paint on the exterior side of the door. The interior side can accept either an exterior or interior latex paint. Apply per the paint manufacturer's instructions.